

EAST TUNNEL CONDENSATE LINE REPLACEMENT PROJECT

PROJECT NUMBER CP00422861
COLUMBIA, SC
CONSTRUCTION DOCUMENTS

DRAWING INDEX

GENERAL

T1 TITLE SHEET

MECHANICAL

M1 SITE PLAN
M2 DETAILS, NOTES, MANHOLE DIAGRAMS
AND LEGEND

CAMPUS PLANNING
AND CONSTRUCTION
COLUMBIA, SC 29208

SEAL:

CHECKED BY: WCL

ORIG. BY

DATE

DRAWN BY: WCL

DATE

20MAR15

DRAWING: CP00422861

BUILDING: REV.

DESCRIPTION

EAST TUNNEL CONDENSATE LINE
REPLACEMENT

PROJECT NO. CP00422861

University of South Carolina

SHEET:

T-1

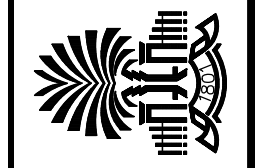
OF

SHEET IN SET:

OF

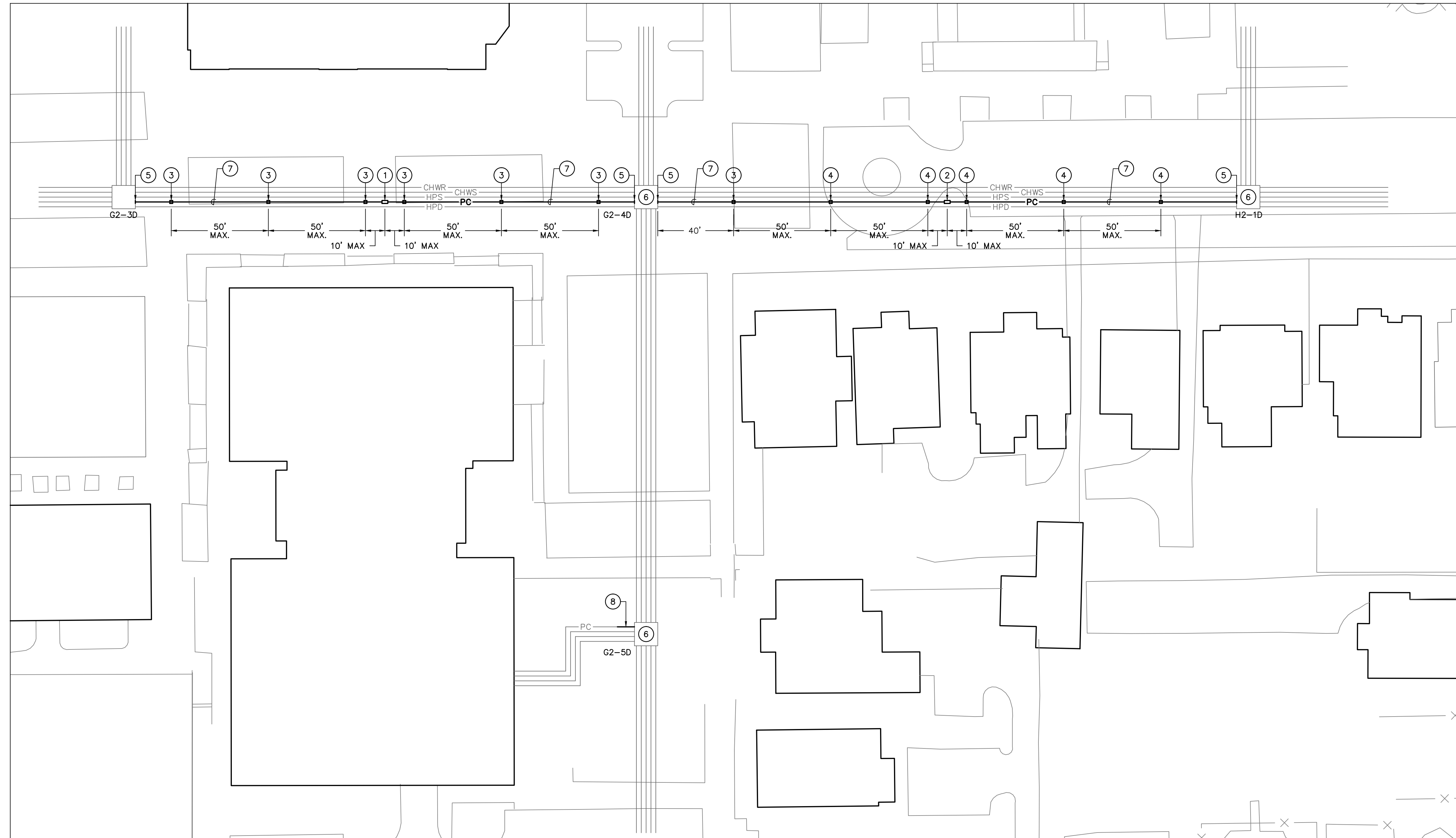
Swygert & Associates
CONSULTING ENGINEERS

DBA Swygert & Assoc., Ltd. Telephone: (803) 791-9300
Post Office Box 11686 Fax: (803) 791-9830
Columbia, S.C. 29211 mail@swygert-associates.com

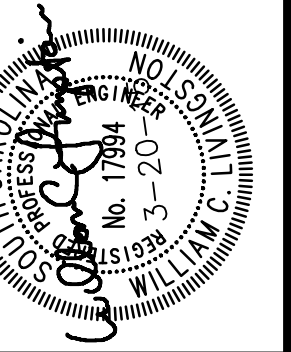


NOTES TO SHEET

- ① NEW EXPANSION JOINT XJ-1 IN NEW 4" PUMPED CONDENSATE LINE.
- ② NEW EXPANSION JOINT XJ-1 IN EXISTING 4" PUMPED CONDENSATE LINE.
- ③ NEW PIPE GUIDE IN NEW PUMPED CONDENSATE LINE.
- ④ NEW PIPE GUIDE IN EXISTING PUMPED CONDENSATE LINE.
- ⑤ PROVIDE ANCHOR TO EXISTING STRUCTURE PER DETAIL ON SHEET M2.
- ⑥ REPLACE EXISTING AND PROVIDE NEW GATE VALVE IN VAULT PER DETAIL ON SHEET M2. PROVIDE NEW DRIP TRAP ASSEMBLY PER DETAIL ON SHEET M2.
- ⑦ REPLACE EXISTING PUMPED CONDENSATE PIPE WITH NEW 4" PUMPED CONDENSATE PIPE AS SHOWN.
- ⑧ REPLACE EXISTING CONDENSATE PIPE 10' OUTSIDE THE VAULT AND BACK THROUGH A NEW CORE DRILLED OPENING TO THE MAIN PUMPED CONDENSATE PIPE IN THE TUNNEL. SEAL OPENING WITH LINK SEAL.



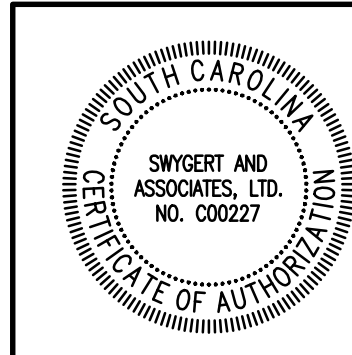
CAMPUS PLANNING
AND CONSTRUCTION
COLUMBIA, SC 29208



BUILDING:	DRAWING:	DATE:	DRAWN BY:	CHECKED BY:
REV.	CP00422861	20MAR15	WCL	WCL
	DESCRIPTION		DATE	ORIG. BY

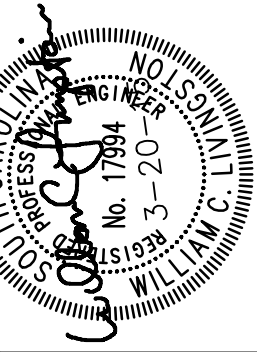
PROJECT TITLE: EAST TUNNEL CONDENSATE LINE REPLACEMENT
PROJECT NO. CP00422861
University of South Carolina

1 SITE PLAN - RENOVATION
M-1 SCALE: 1" = 30'



Swygert & Associates
CONSULTING ENGINEERS
DBA Swygert & Assoc., Ltd. Telephone: (803) 791-9300
Post Office Box 11686 Fax: (803) 791-9830
Columbia, S.C. 29211 mail@swygert-associates.com

SHEET:
M-1
OF
SHEET IN SET:
OF



SEAL:	WCL
CHECKED BY:	WCL
ORIG. BY:	WCL
DATE:	20MAR15
DRAWN BY:	CP00422861
DATE:	20MAR15
DESCRIPTION:	
REV:	

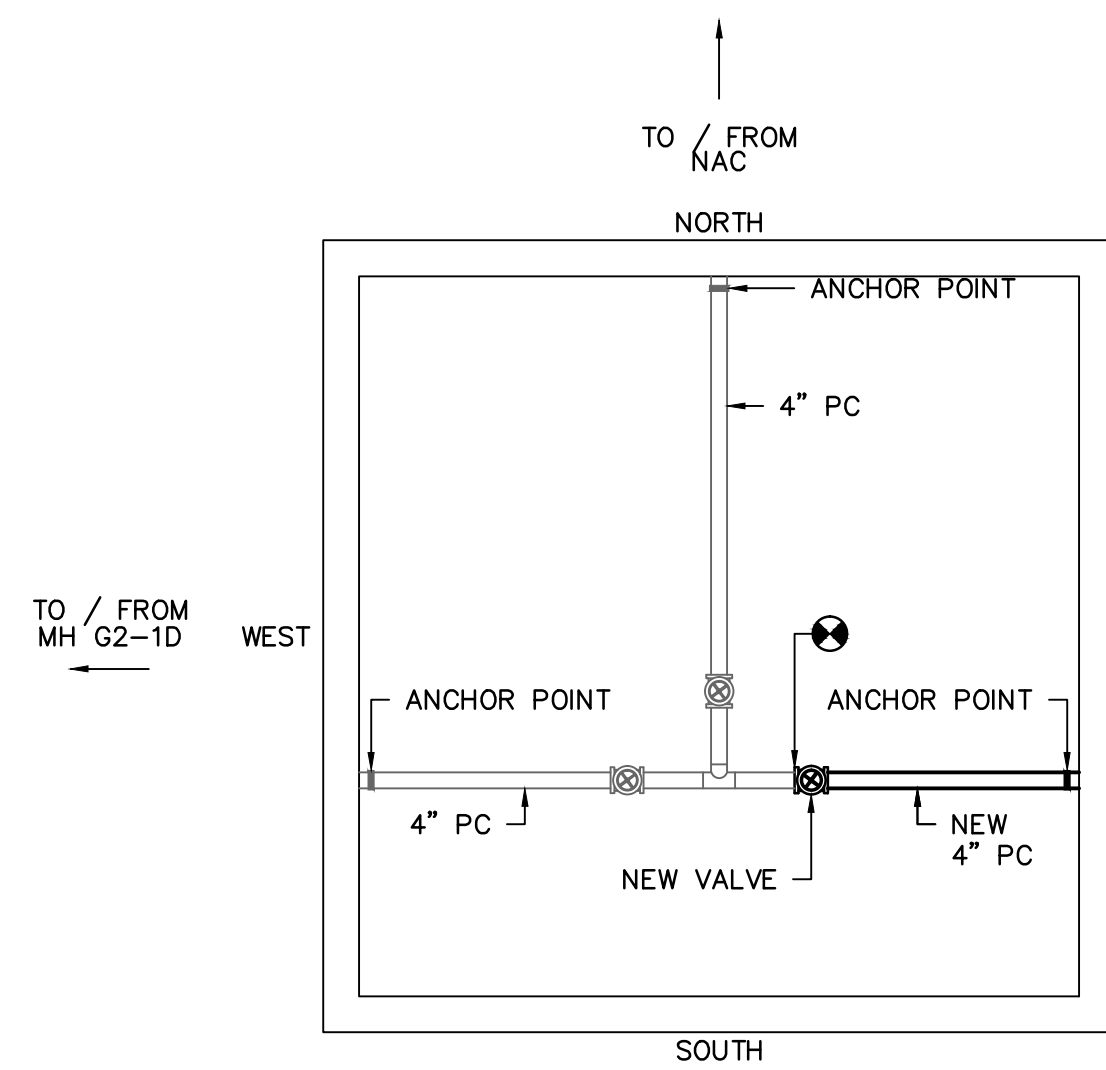
EAST TUNNEL CONDENSATE LINE
REPLACEMENT
PROJECT NO. CP00422861
University of South Carolina

GENERAL NOTES

- DO NOT SCALE DRAWINGS. VERIFY ALL REQUIRED INFORMATION IN THE FIELD BY VISITING SITE PRIOR TO SUBMITTING BID.
- EXACT ROUTING OF PIPING SHALL BE SET IN FIELD TO MINIMIZE CONFLICTS WITH ALL ABOVE AND UNDERGROUND STRUCTURES, TREES, FENCES, WALKS, WALLS, AND UTILITIES.
- ALL PIPING IS SHOWN DIAGRAMMATIC. HOWEVER, CONTRACTOR SHALL PROVIDE ALL REQUIRED FITTINGS, PIPING, AND INSULATION FOR ALL OFFSETS AND/OR CHANGES IN ELEVATIONS. WHERE NECESSARY DUE TO INTERFERENCE, CONTRACTOR SHALL MODIFY EXISTING PIPING, EQUIPMENT, ETC.
- ALL VALVES AND SPECIALTIES SHALL BE LINE SIZE UNLESS INDICATED OTHERWISE ON DRAWINGS.
- ALL STEAM AND PUMPED CONDENSATE SHALL PITCH DOWN A MINIMUM OF ONE INCH PER FIFTY FEET.
- ALL OPENINGS THROUGH EXISTING STRUCTURES SHALL BE CORE DRILLED.
- COLD SPRING ALL STEAM LINES FIFTY (50) PERCENT.
- WHERE PIPING ENTERS MANHOLE CONSTRUCT ENTRY AS REQUIRED. ALL PIPES TO BE SLEEVED AND LINK SEALED TO MAKE WATERTIGHT.
- ALL PIPING AND FITTINGS IN MANHOLES TO BE INSULATED, SEE SPECIFICATIONS.
- CONTRACTOR SHALL COORDINATE AND OBTAIN APPROVAL FROM OWNER FOR INTERRUPTIONS AND CONNECTIONS TO EXISTING UTILITY SYSTEMS.
- CONTRACTOR SHALL COORDINATE TREE AND LANDSCAPING REPLACEMENT WITH USC. IN GENERAL USC WILL REPLACE SMALL TREES THAT ARE NOTED TO BE REPLACED. CONTRACTOR IS RESPONSIBLE FOR SOD REPLACEMENT.
- ALL PIPING SHALL BE VENTED OF AIR AND FILLED WITH THEIR NORMAL FLUIDS OR GAS.
- CONTRACTOR SHALL CONTACT PALMETTO UTILITY PROTECTION SERVICES TO LOCATE UTILITIES PRIOR TO DIGGING. INFORMATION OBTAINED FROM PALMETTO UTILITY PROTECTION SERVICES AND DURING DIGGING SHALL BE INDICATED ON THE AS-BUILT DRAWINGS.
- CONSTRUCT TEMPORARY FENCING AROUND PROJECT AREA TO PROTECT THE SITE AND PEDESTRIANS.

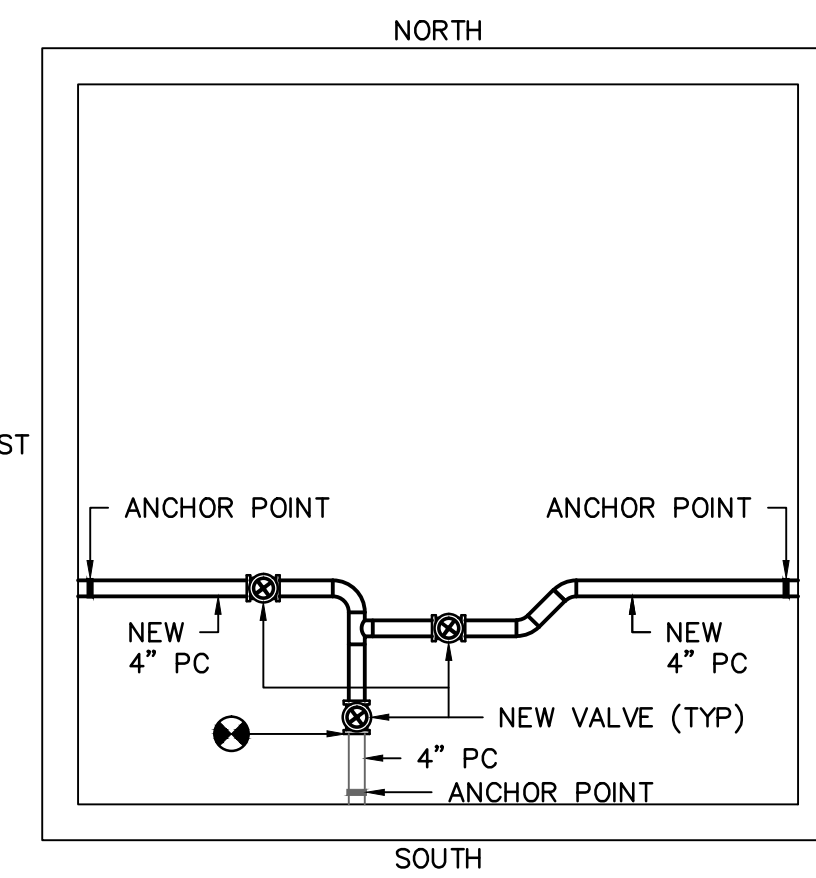
LEGEND

SYMBOL	DESCRIPTION
	NEW HIGH PRESSURE STEAM LINE
	NEW PUMPED CONDENSATE LINE
	EXISTING PIPE TO BE REMOVED OR ABANDONED
	EXISTING PUMPED CONDENSATE LINE
	EXISTING HIGH PRESSURE STEAM LINE
	EXISTING GRAVITY CONDENSATE LINE
	EXISTING CHILLED WATER RETURN LINE
	EXISTING CHILLED WATER SUPPLY LINE
	EXISTING HIGH VOLTAGE ELECTRICAL LINE
	EXISTING COMMUNICATIONS LINE
	EXISTING ELECTRICAL AND COMMUNICATIONS PRIMARY DUCT
	EXISTING SANITARY SEWER LINE
	EXISTING HIGH PRESSURE GAS LINE
	EXISTING LOW PRESSURE GAS LINE
	EXISTING STORM DRAIN LINE
	VELAN GATE VALVE, SEE SPECS
	CONNECTION POINT OF NEW TO EXISTING



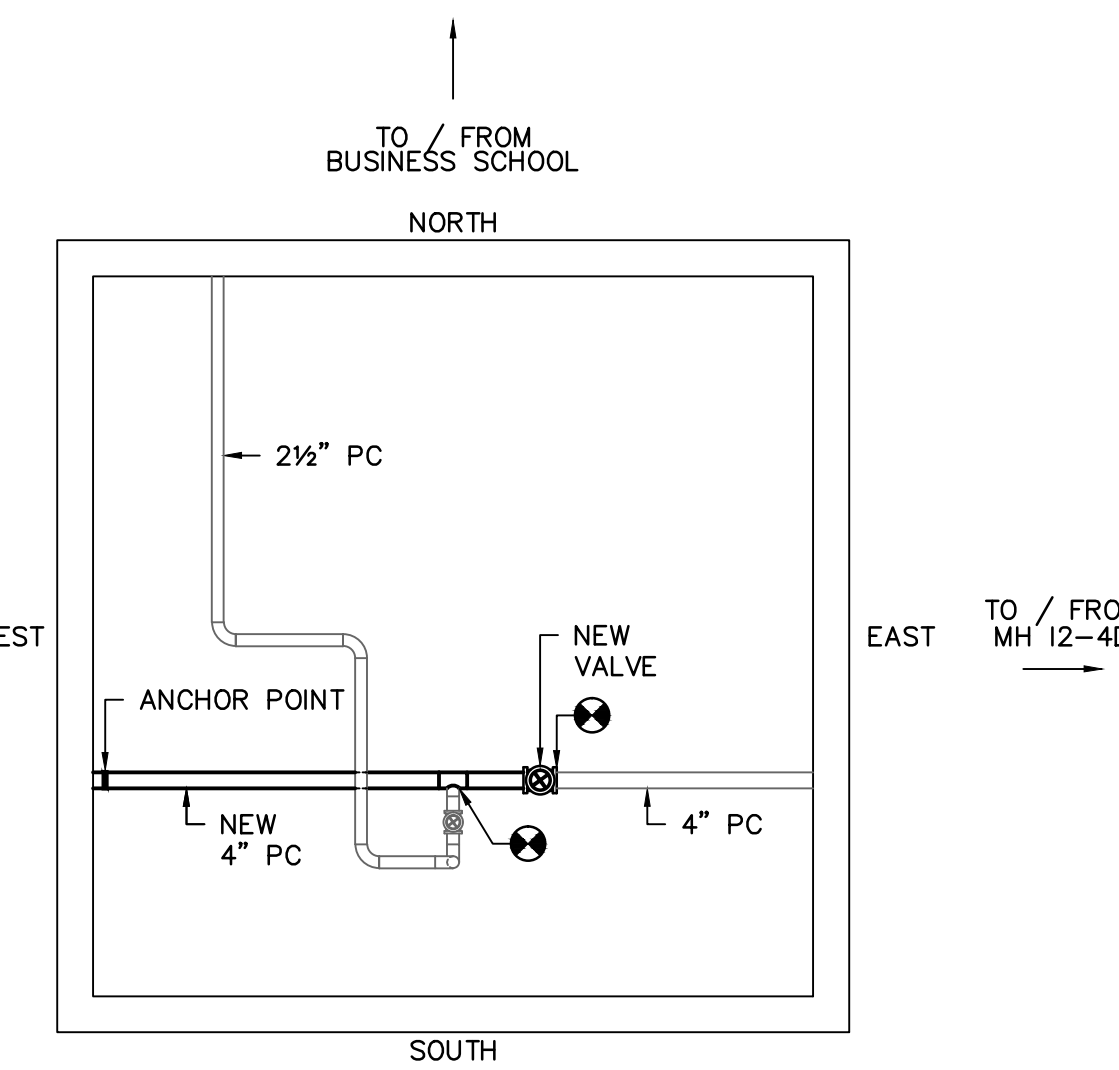
MANHOLE G2-3D

NO SCALE



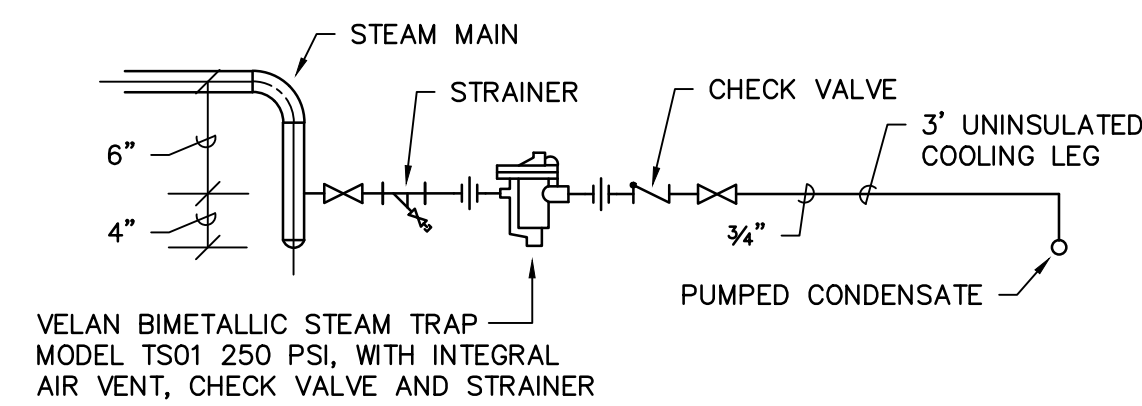
MANHOLE G2-4D

NO SCALE



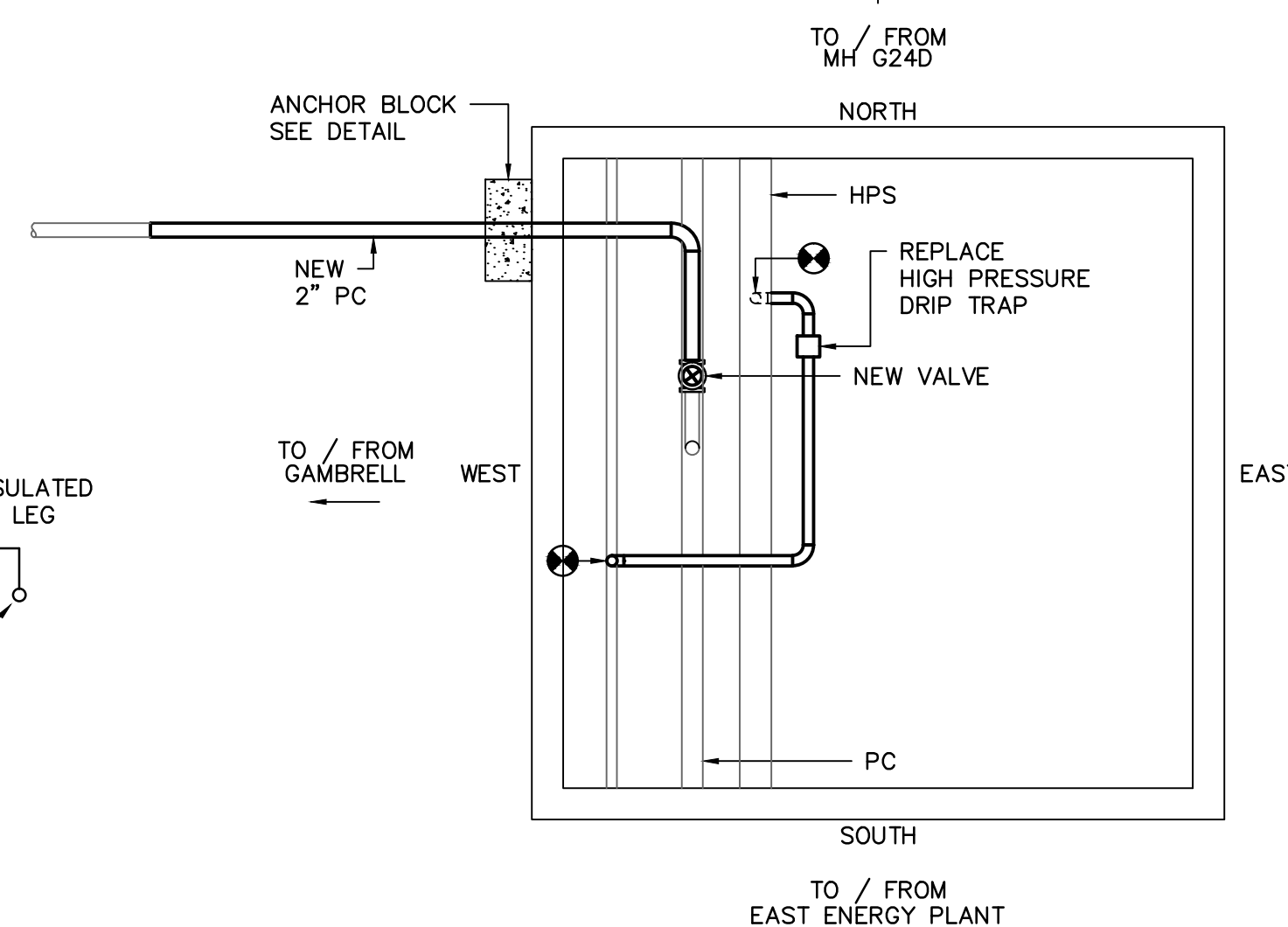
MANHOLE H2-1D

NO SCALE



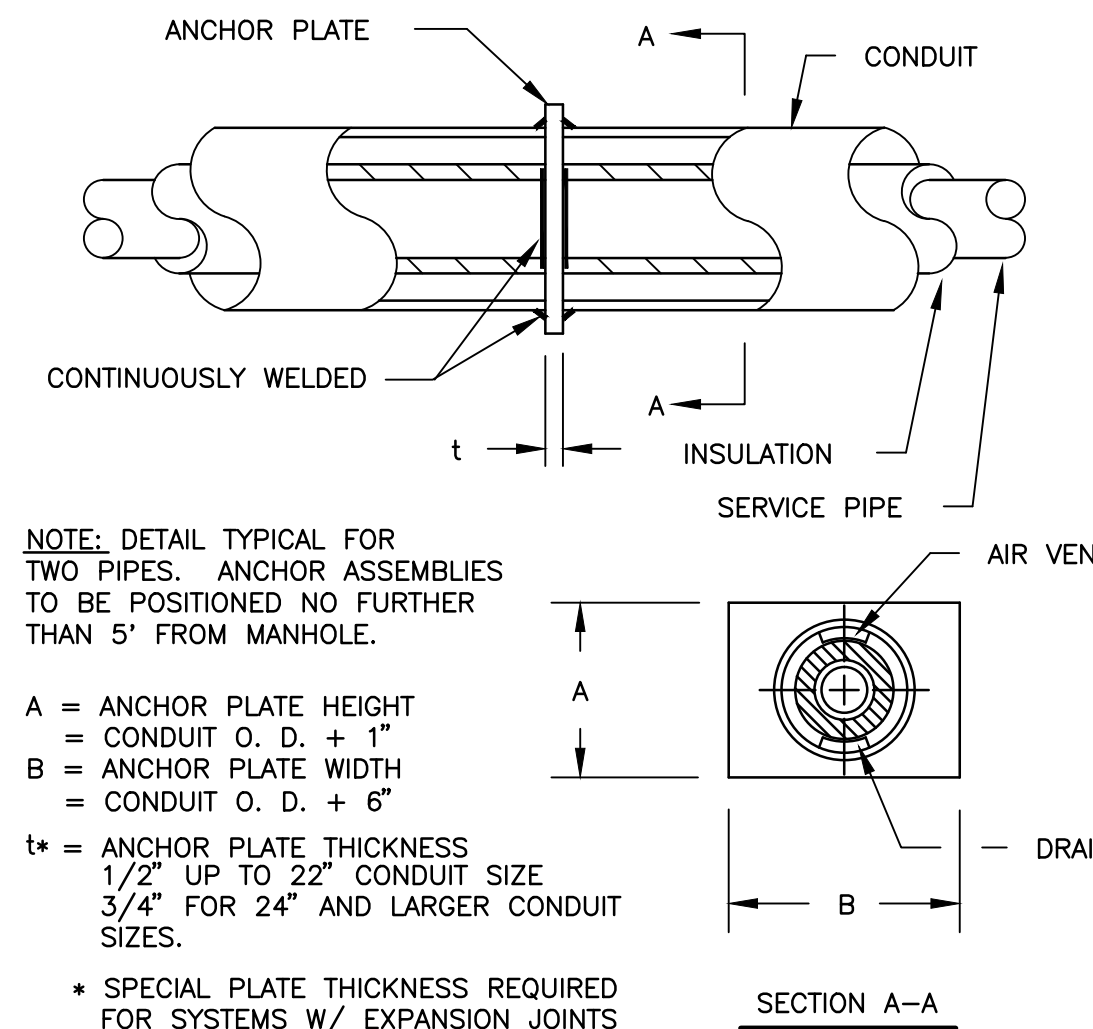
HIGH PRESSURE DRIP POINT

NO SCALE



MANHOLE G2-5D

NO SCALE



NOTE: DETAIL TYPICAL FOR TWO PIPES. ANCHOR ASSEMBLIES TO BE POSITIONED NO FURTHER THAN 5' FROM MANHOLE.

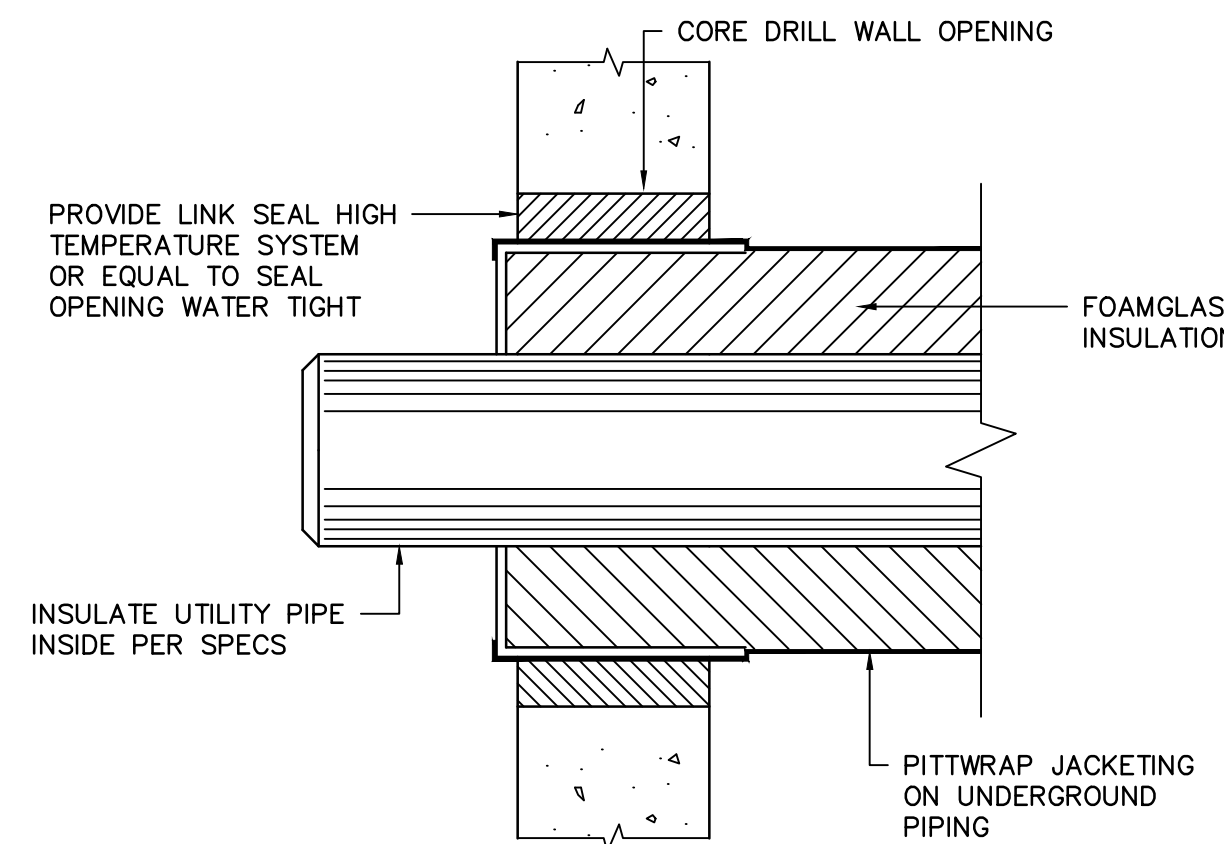
A = ANCHOR PLATE HEIGHT = CONDUIT O. D. + 1"
B = ANCHOR PLATE WIDTH = CONDUIT O. D. + 6"
t* = ANCHOR PLATE THICKNESS 1/2" UP TO 22" CONDUIT SIZE 3/4" FOR 24" AND LARGER CONDUIT SIZES.

* SPECIAL PLATE THICKNESS REQUIRED FOR SYSTEMS W/ EXPANSION JOINTS

NOTE: A CONCRETE BLOCK SHALL BE CAST OVER THE PLATE AND CONDUIT AND SHALL BE AT LEAST 30" IN LENGTH AND SHALL EXTEND A MINIMUM OF 9" BEYOND THE TOP AND BOTTOM OF ANCHOR PLATE.

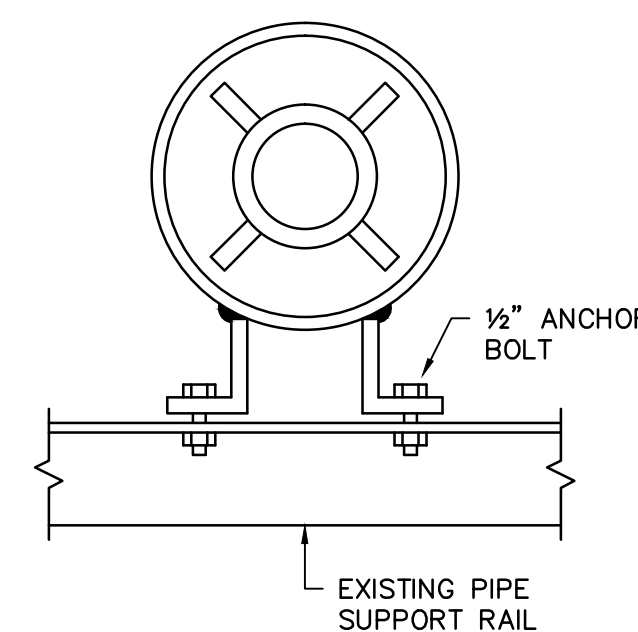
STANDARD ANCHOR ASSEMBLY

NO SCALE



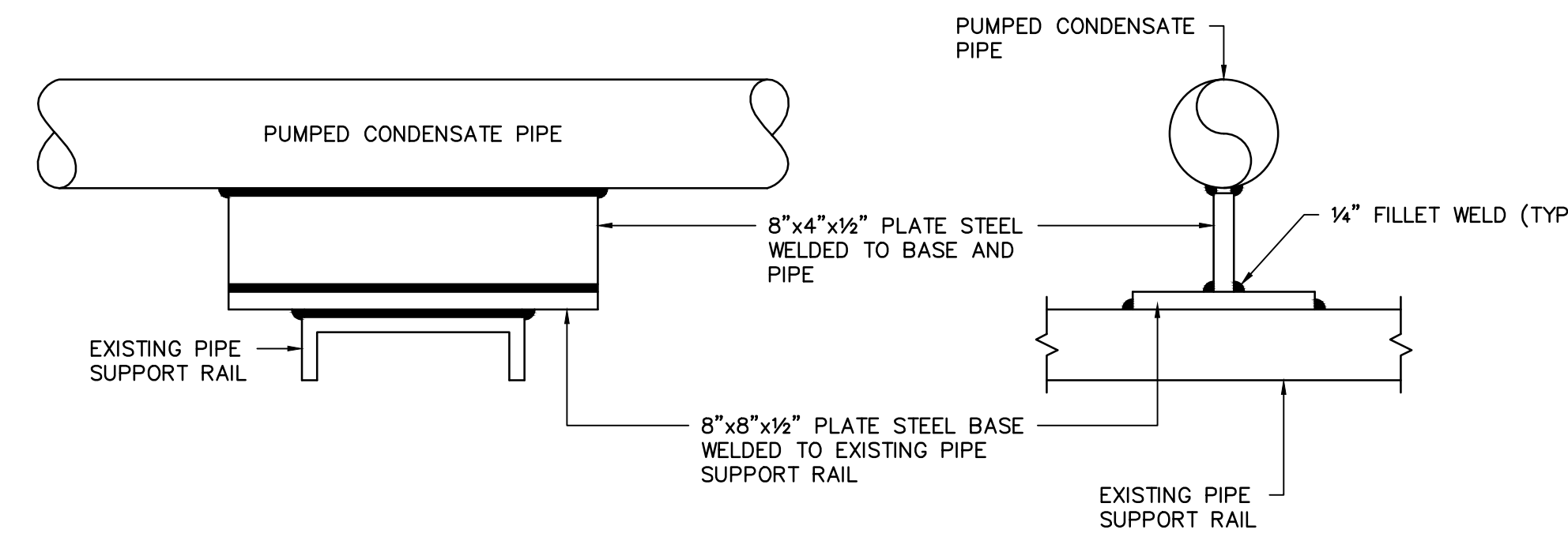
UTILITY PIPE ENTRY DETAIL

NO SCALE



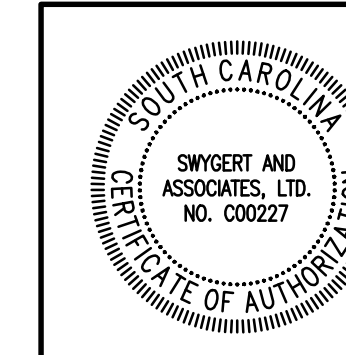
PIPE GUIDE DETAIL

NO SCALE



ANCHOR DETAIL

NO SCALE



Swygert & Associates
CONSULTING ENGINEERS
DBA Swygert & Assoc., Ltd. Telephone: (803) 791-9300
Post Office Box 11686 Fax: (803) 791-9830
Columbia, S.C. 29211 mail@swygert-associates.com